

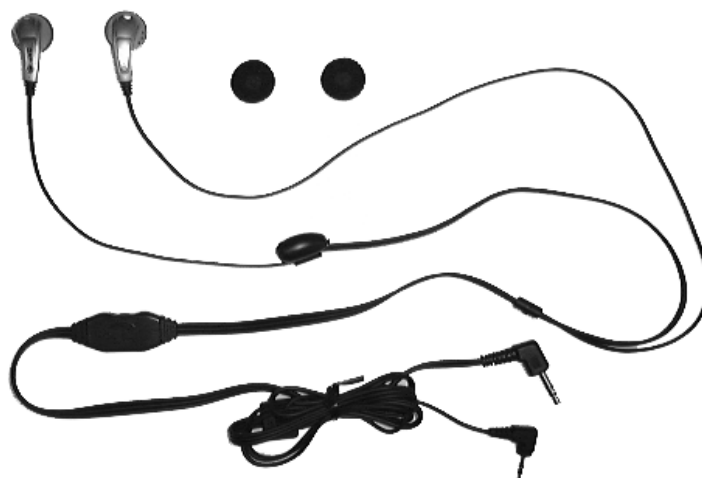
# JVC

## SERVICE MANUAL

### STEREO HEADPHONES WITH INTEGRATED MICROPHONE

## HA-SP3 (N)

The "Product Exchange System" is applicable to this product.  
For limited spare parts, refer to the parts list.



### Specifications

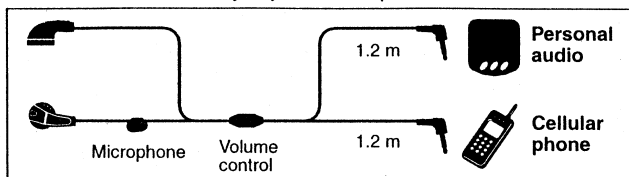
Headphones section		Microphones section	
Type	Moving coil	Type	Electrical condenser
Frequency response	16 Hz-22 000 Hz	Densitivity	Non-directional
Nominal impedance	16 ohms	Sensitivity	-38 dB (0 dB=1V/Pa)
Sensitivity	100 dB/1 mW	Cord	<ul style="list-style-type: none"> <li>• 1.2 m cord with <math>\phi</math> 3.5 mm L-type Stereo mini-plug (for personal audio)</li> <li>• 1.2 m cord with <math>\phi</math> 2.5 mm L-type triple-pole plug (for cellular phone)</li> </ul>
Max.input capability	20 mW		
Mass	6 g (without cord & control box) 30 g (with cord & control box)		

*Design and specifications subject to change without notice.*

# Instruction

Hands-free system alerts you to incoming phone calls, so you never miss a call even while listening to music.

- High-efficiency mini-microphone for clear sound
- Volume control for easy adjustment of personal audio's volume



**NOTE:**

- This unit's hands-free system is available only when connected to the cellular phone's hands-free jack.
- Depending on the cellular phone type, hands-free system may not work properly even when connected to the hands-free jack.

**How to use**

Please read through the safety precautions inside the package before using this unit.

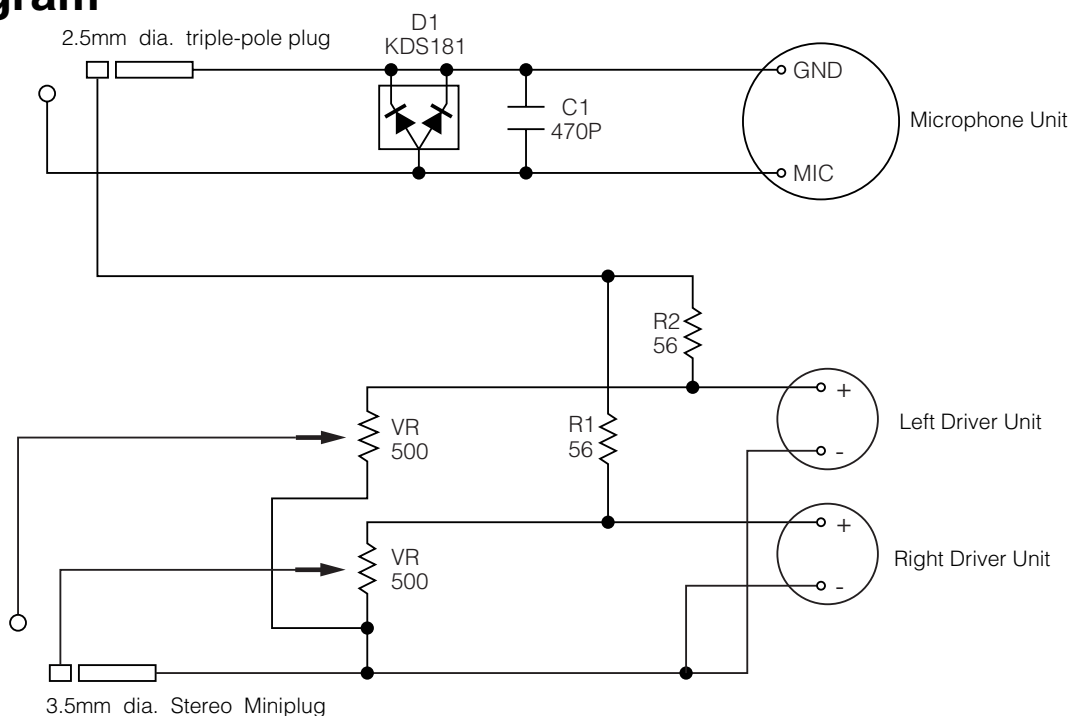
- 1 Connect the  $\phi 3.5$  mm stereo mini-plug to the personal audio's stereo mini-jack. Connect the  $\phi 2.5$  mm triple-pole plug to the cellular phone's earphone jack.
- 2 The call tone will be heard even while you are listening to the personal audio.
- 3 Adjust this unit's volume control\* to turn down the audio volume while you are talking on the phone.
  - \* Only adjusts the volume of the personal audio.

## Parts List

$\triangle$	Item No.	Parts No.	Parts Name	Q'ty	Description
	1	J45584-001SA	Ear Pad	1Pair	Black

\*Parts marked ( $\triangle$ ) are safety parts. When replacing, be sure to use the specified one.

## Wiring Diagram



VICTOR COMPANY OF JAPAN, LIMITED

COMMUNICATION NETWORK BUSINESS UNIT, 1644, SHIMOTSURUMA, YAMATO-SHI, KANAGAWA-KEN, 242-8514, JAPAN